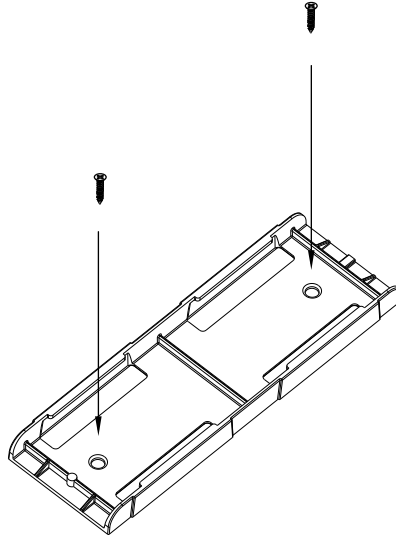


# BYRNE™

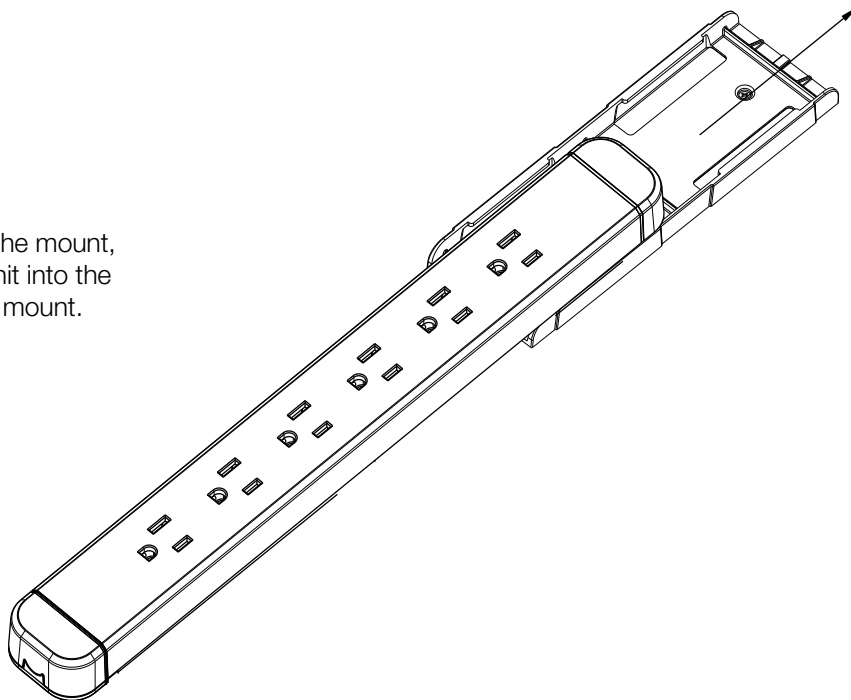
## INSTALLATION INSTRUCTIONS FOR HEXPLEX/TRIPLEX MOUNTING KITS

### HEXPLEX

- ① Screw mount into place using two #8 screws (not included).



- ② Slide unit into the mount, inserting the unit into the grooves of the mount.

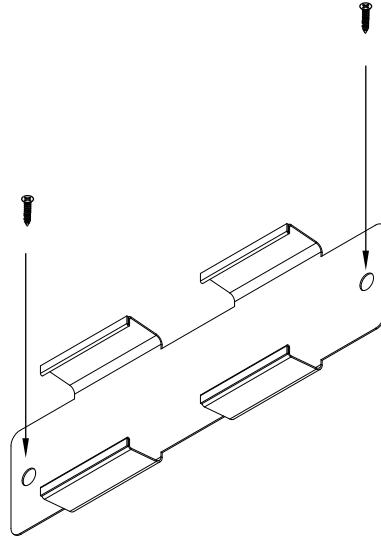


# BYRNE™

## INSTALLATION INSTRUCTIONS FOR HEXPLEX/TRIPLEX MOUNTING KITS

### TRIPLEX

- ① Screw mount into place using two #8 screws (not included).



- ② Slide unit into the mount, inserting the unit into the grooves of the mount.

